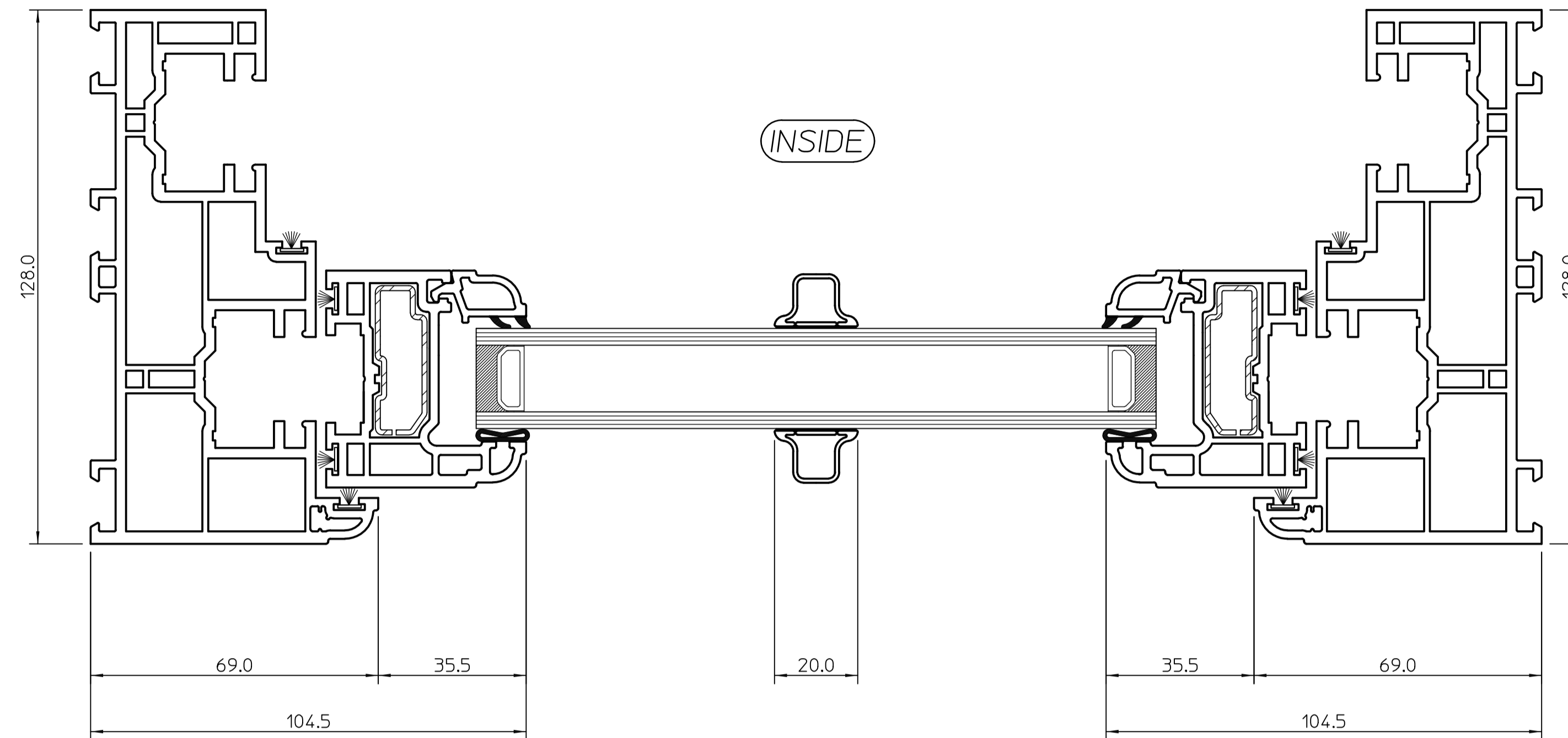
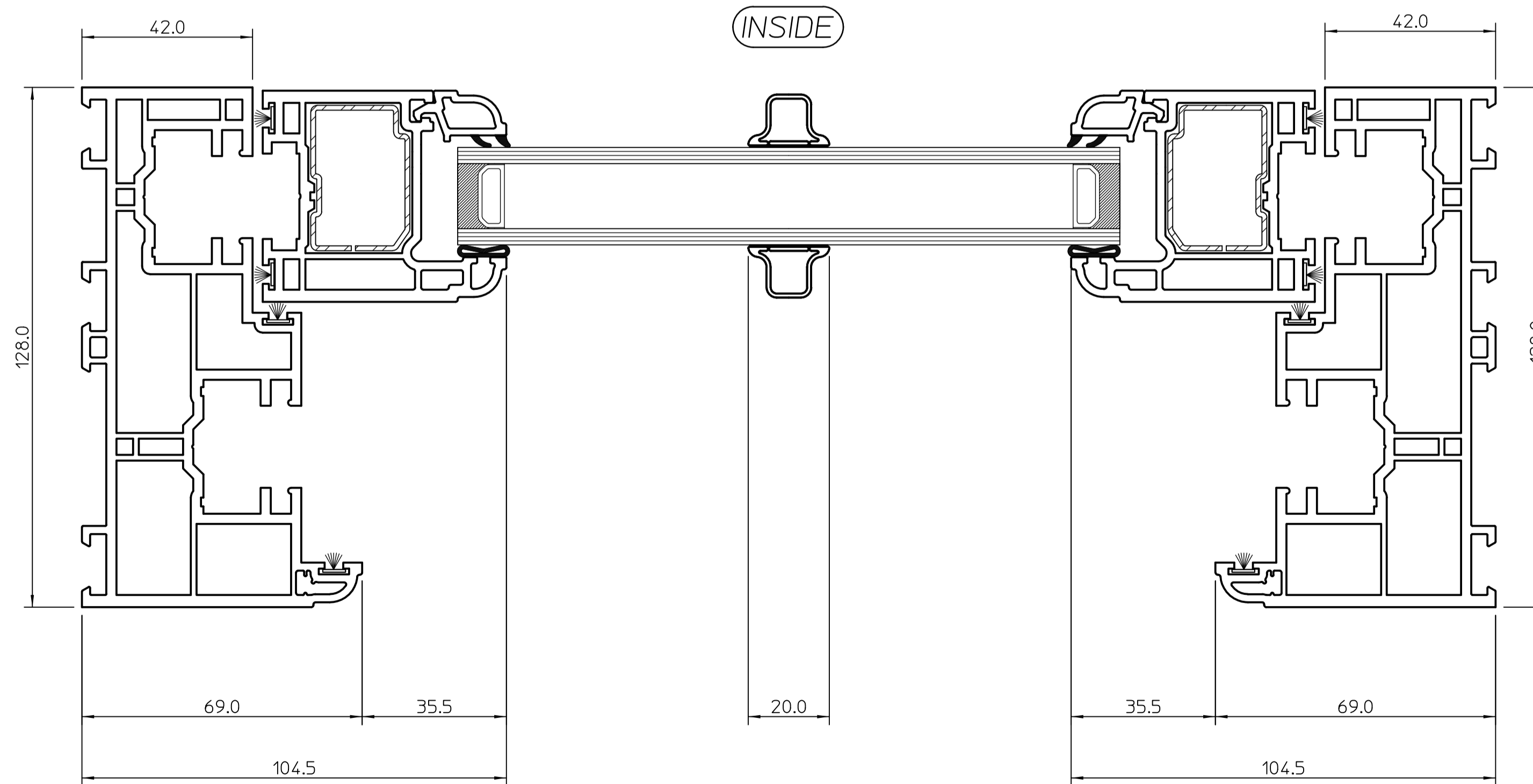


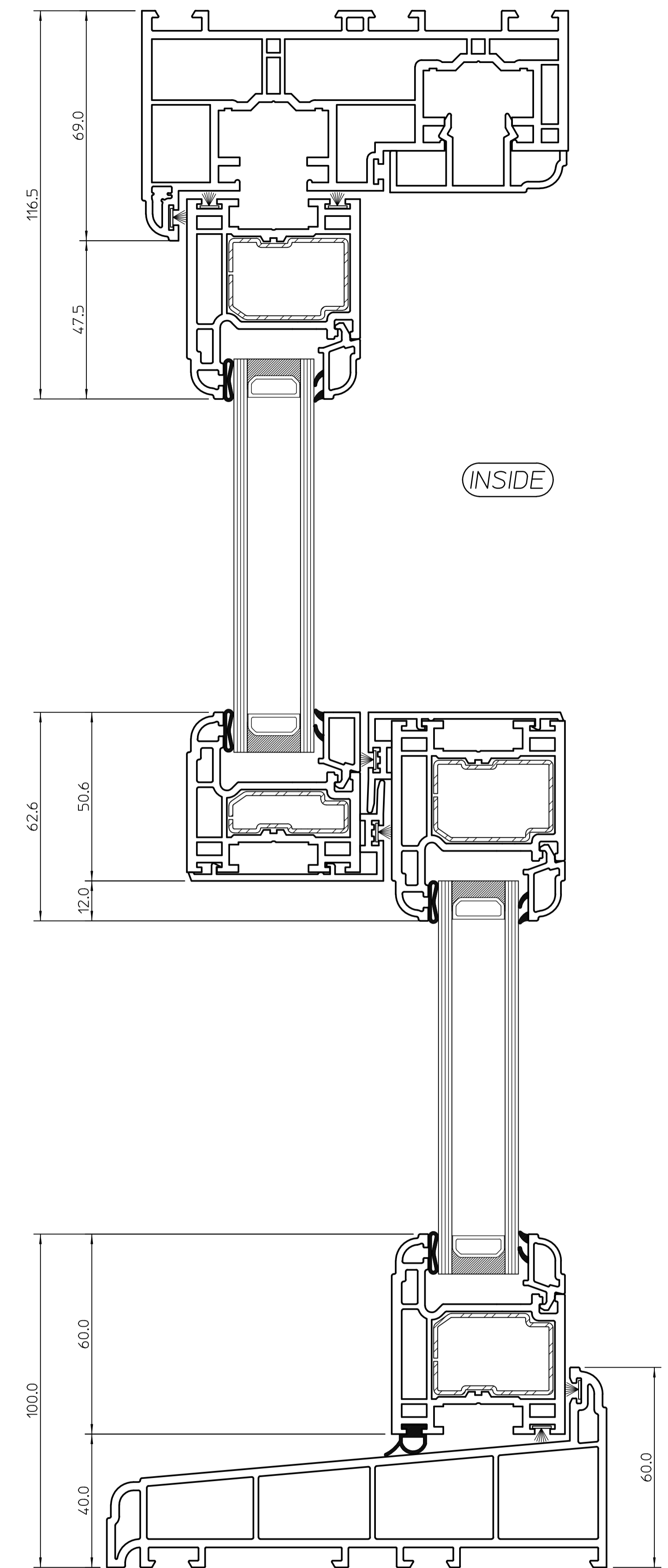
1:10 ELEVATION



SECTION 'B-B'



SECTION 'C-C'



SECTION 'A-A'

Epwin Group

WINDOW SYSTEMS
DIVISION
Stafford Park 6, Telford, Shropshire TF3 3AT
Tel: 01952 290910 Fax: 01952 290460

A	7/07/2022	G.G.
Title: QUICKSLIDE LEGACY VERTICAL SLIDER ELEVATION AND CROSS SECTIONS		
Drawn By: G.G.	Date: 07/07/2022	Approved: G.G.
Scale: 1:10 & 1:1	at: A1	Drawing No: 7411
Issue: A		